

Disinfection passageway

The disinfection passageway is used for disinfecting hands and shoe of workers entering the production zone, in any type of food processing plants.

Inside the box there are two photocells activating jets that distribute disinfectant liquid on the hands of the employee. At the same time soles of shoes are being disinfected with fluid gathered in special shaped basin.

After disinfecting hands turnstile is released allowing the passage of the employee.



Specification:

- Length - 1230 mm
- Width - 850 mm
- Height - 1420 mm

Power: - 230V AC/24V DC; 50Hz

Power consumption: - 0,2 kW

Ingress Protection

Rating: - IP65

Water

outflow: - PVC Ø 50 mm

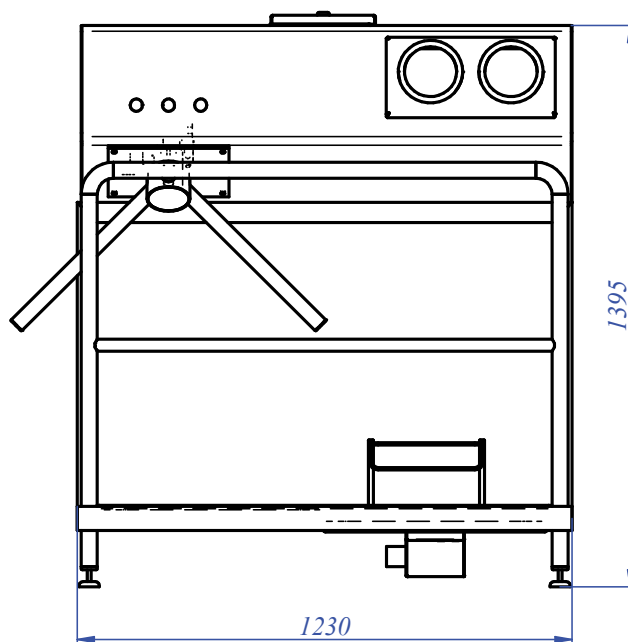
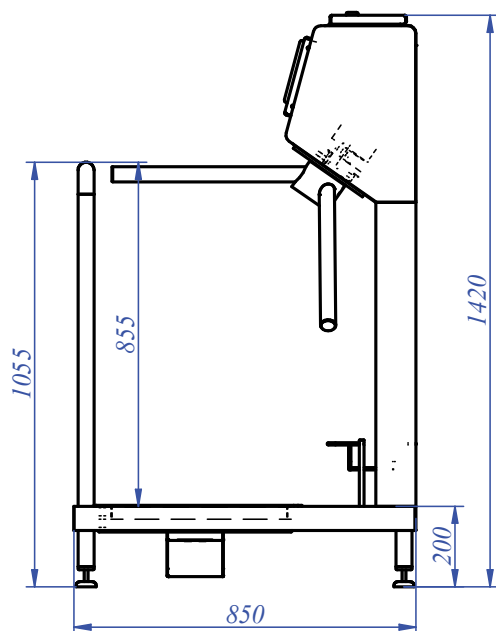
Weight: - 125 kg

Automatic feed of disinfectant liquid

Finishing: stainless steel AISI 304



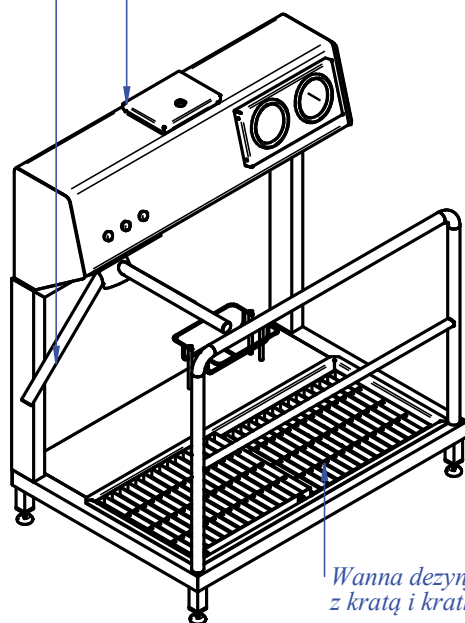
Disinfection passageway



Turnstile connected with photocells and
container with disinfectant liquid

*Kołowrót sprzężony
elektrycznie z układem natryskowym*

*Zbiornik z płynem dezynfekcyjnym
i układem natryskowym.*



*Wanna dezynfekcyjna
z kratą i kratką ściekową - odpływ - Ø50*

Disinfection basin with sewage grate - outflow Ø 50mm

